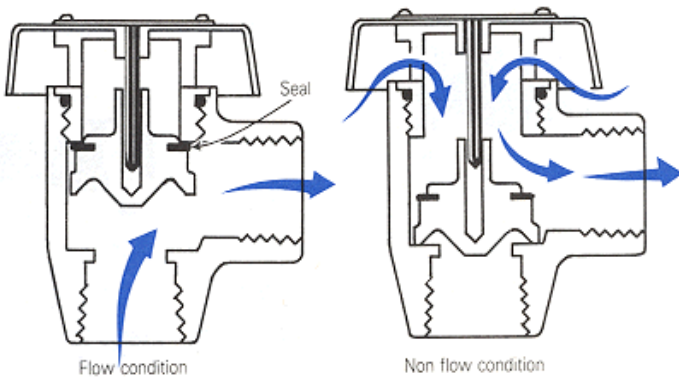


Atmospheric Vacuum Breaker – AVB

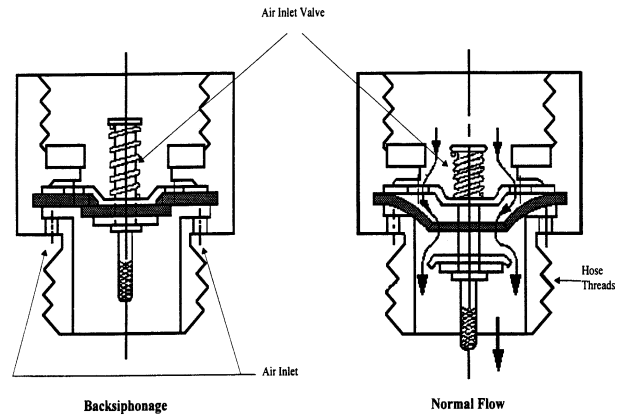
AVB- Is a mechanical backflow prevention device consisting of a float check valve and an air inlet port, designed to prevent backsiphonage by allowing air to enter the downstream water line. This unit does **NOT** provide protection against backpressure or **continuous pressure**. A shut-off valve is **NOT** allowed downstream from the device. A shut-off valve downstream would allow the device to be subjected to continuous pressure.

Faucet AVB

Atmospheric Vacuum Breaker



Hose Bib AVB



Hose Bib AVB



Hose Bib Freeze Proof AVB

